

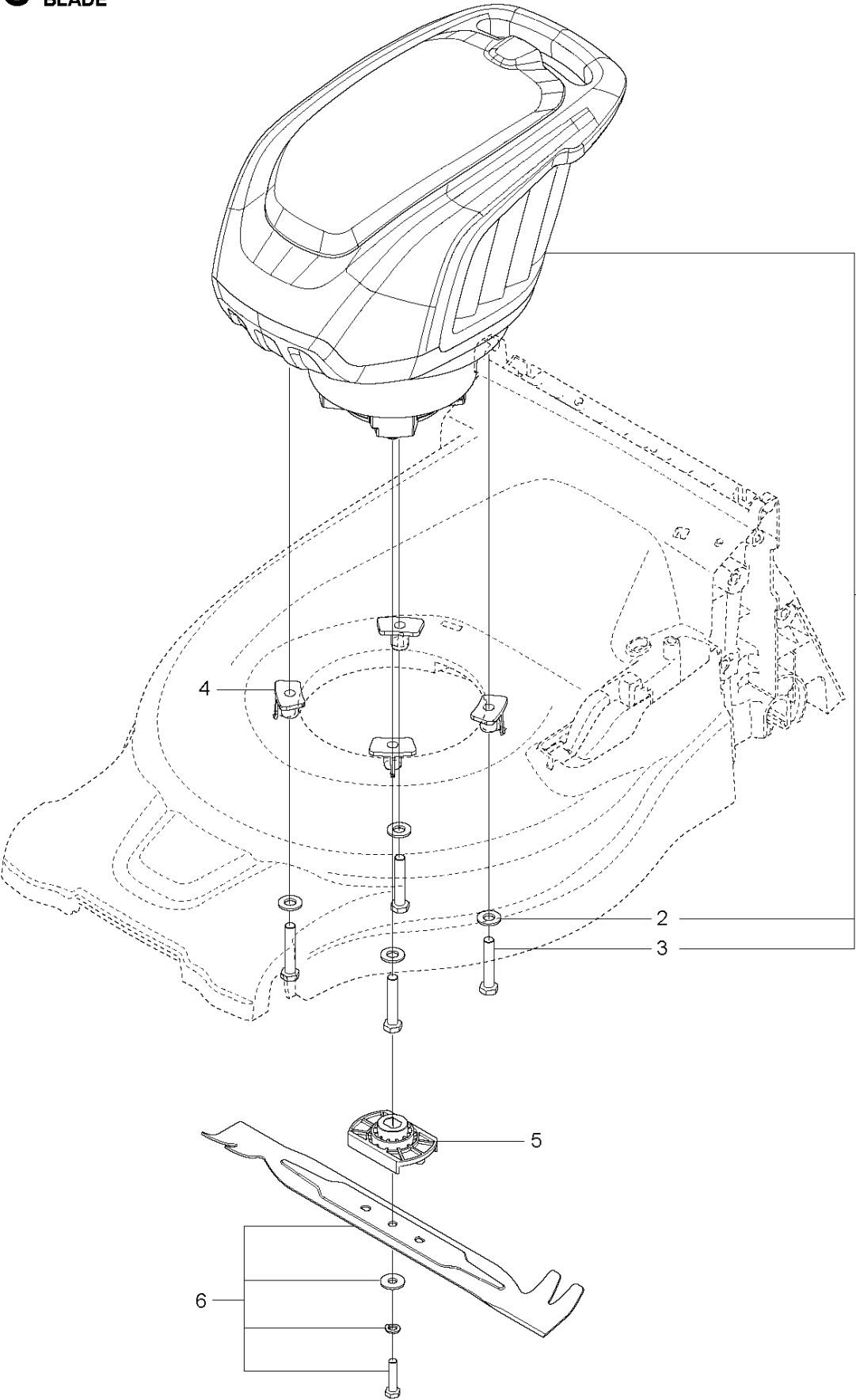


SPARE PARTS LIST

LAWN MOWERS: CONSUMER
WALK-BEHINDS

LC247 Li, 967662901, 2018-01

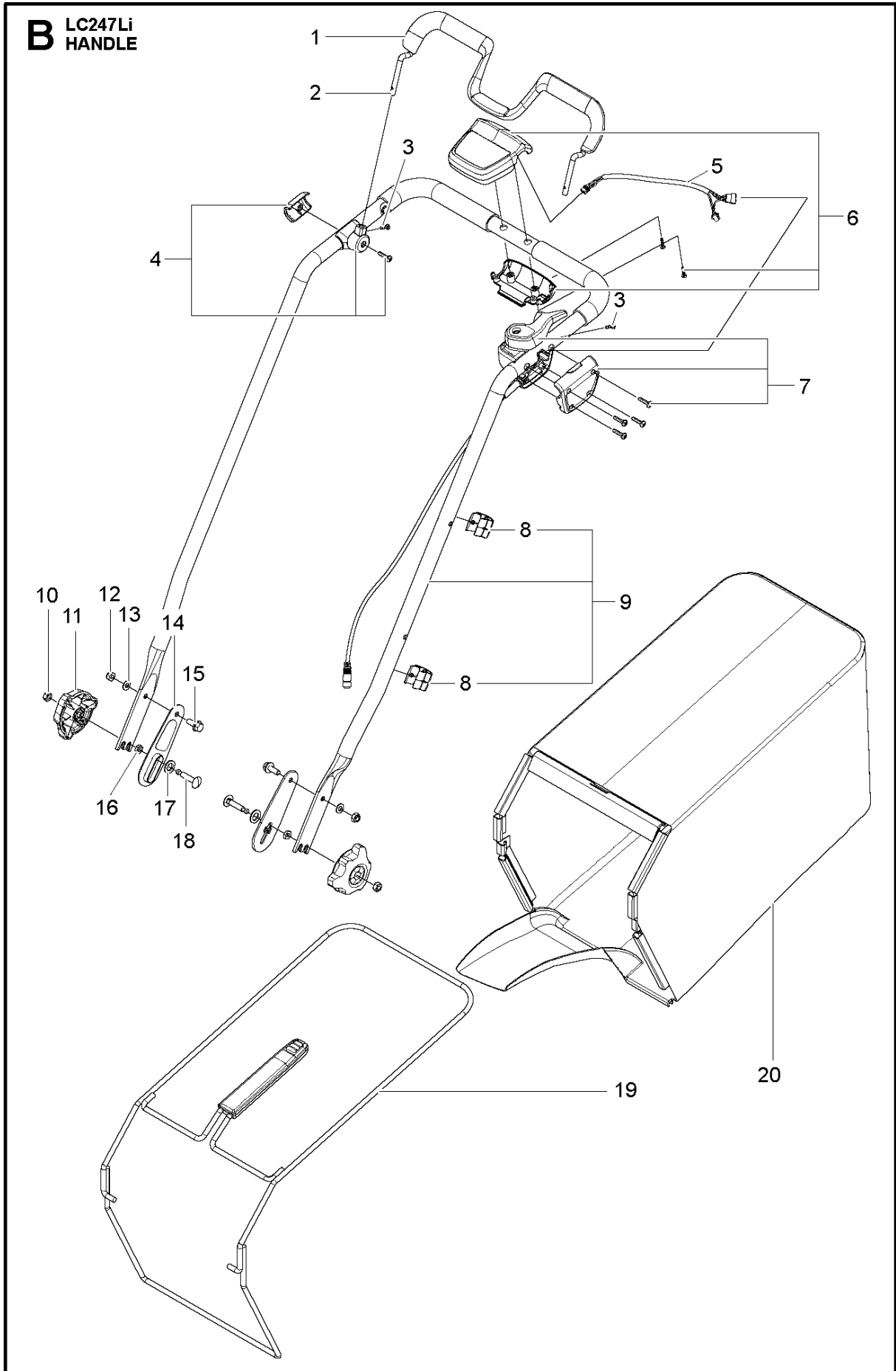
C LC247Li
BLADE



BLADE MOTOR & CUTTING EQUIPMENT

LC247 Li, 967662901, 2018-01

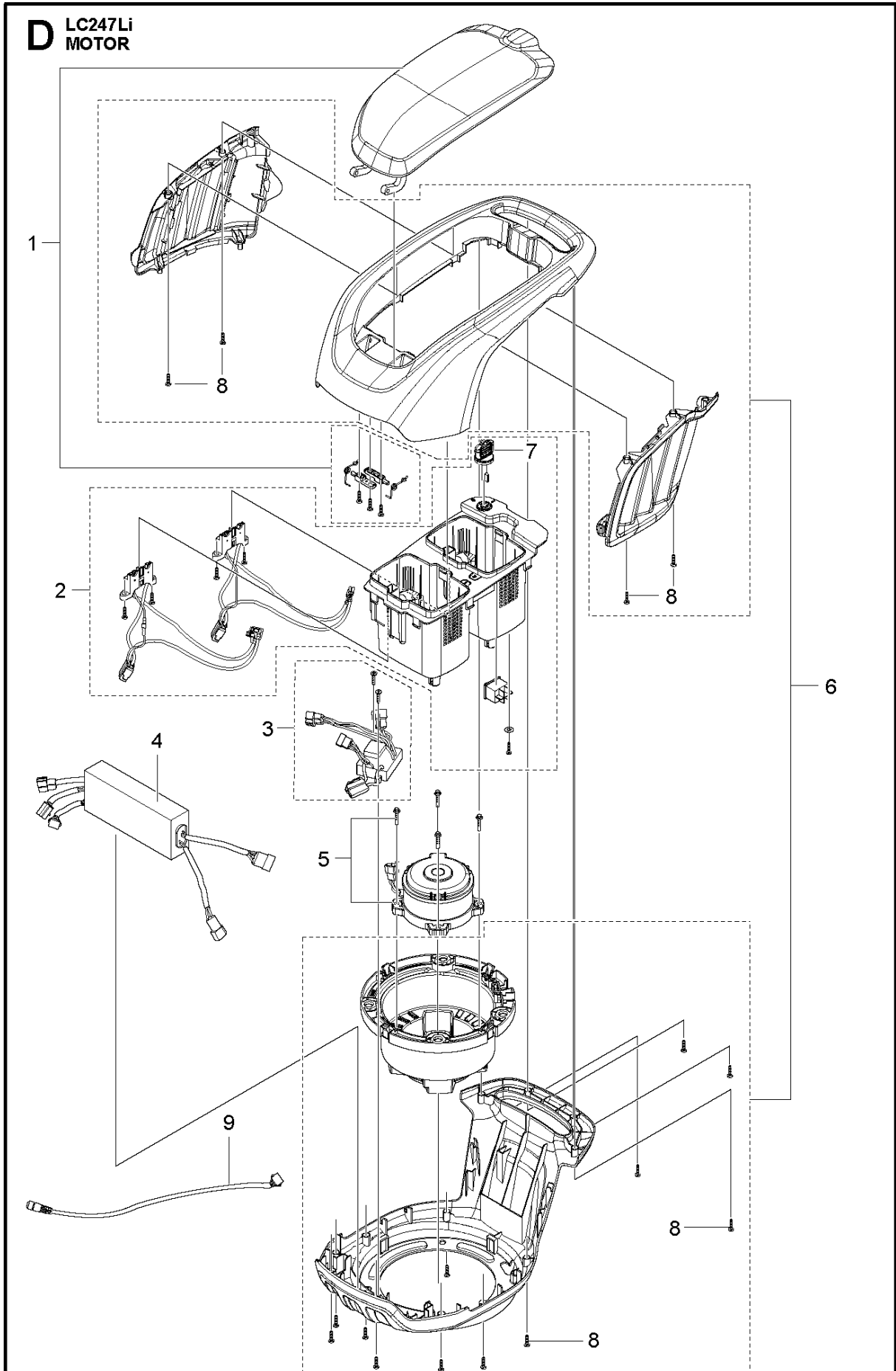
| Спр. № | Код | Описание | Замечание | КОЛ | Наб. |
|--------|--------------|---------------|------------------------------------|-----|------|
| 1 | 590 53 14-01 | SHAFT | Powerhead | 1 | 2,3 |
| 2 | 504 46 68-01 | Шайба | 10.5x22x2 BRB ZPB | 4 | 1 |
| 3 | 725 25 02-71 | SCREW ЕННМ | M10x55 8.8 ZPB,ISO 4017 | 4 | 1 |
| 4 | 578 29 51-01 | Втулка | For engine screws, Plastic chassis | 4 | |
| 5 | 591 08 43-01 | BLADE SUPPORT | Transmission system | 1 | |
| 6 | 593 72 09-01 | BLADE KIT | 47cm, Incl bolt & washers, Collect | 1 | |



HANDLE

LC247 Li, 967662901, 2018-01

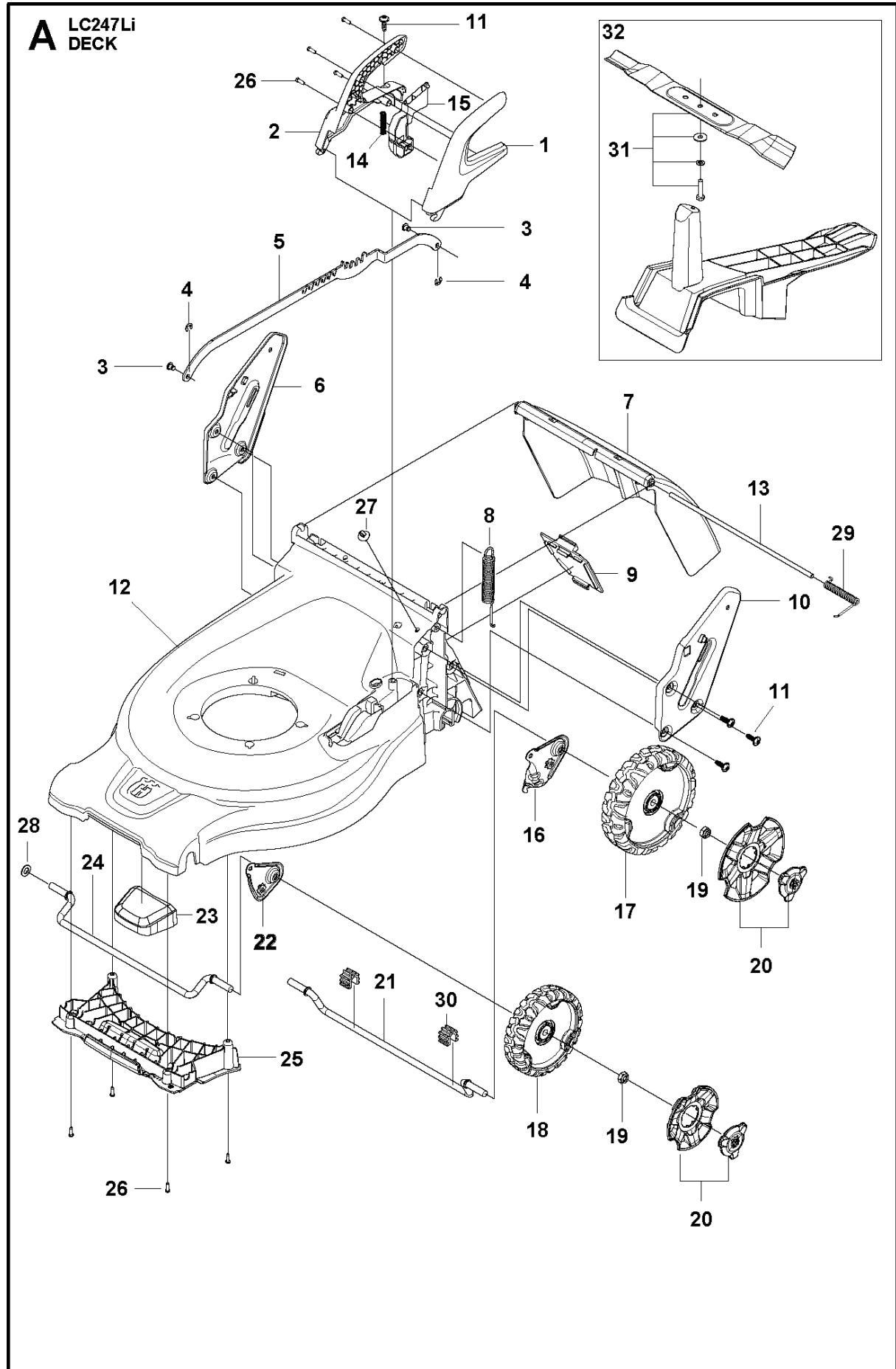
| Спр. № | Код | Описание | Замечание | КОЛ | Наб. |
|--------|--------------|---------------------|--------------------------------|-----|------|
| 1 | 590 59 38-01 | GRIP | Ergonomic bail attachment | 1 | |
| 2 | 590 59 39-02 | BAIL | OPC Bail | 1 | |
| 3 | 593 19 87-01 | SCREW KDS 4X6 | M4 bail screw | 2 | |
| 4 | 593 11 87-01 | BAIL ARM ASSY | Bail support assembly | 1 | |
| 5 | 593 19 86-01 | EXTENSION CABLE | Control panel assy cable | 1 | |
| 6 | 593 10 60-01 | CONTROL BOARD | Push | 1 | |
| 7 | 593 11 79-01 | SWITCHBOX ASSY | Push | 1 | |
| 8 | 591 08 64-01 | Проставка | Handle mounted clip | 2 | 9 |
| 9 | 593 11 97-01 | Рукоятка и тросик | Upper | 1 | 8 |
| 10 | 731 23 18-01 | HEXAGON NUT | M8 8 ZPB,ISO 4032 | 2 | |
| 11 | 587 23 72-01 | KNOB | handle | 2 | |
| 12 | 732 21 18-01 | LOCK NUT | M8-8 | 2 | |
| 13 | 734 18 20-51 | Шайба | 8x16x1.5 St ZPB,Type NB | 2 | |
| 14 | 587 78 04-01 | Шайба | Washer handle/handlesupport | 2 | |
| 15 | 506 57 01-04 | SCREW EHHFM | M8x20 8.8 ZPB,EHHFM | 2 | |
| 16 | 731 43 18-01 | HEXAGON THIN NUT | M8 St 04 ZPB,ISO 4035 | 2 | |
| 17 | 588 15 74-01 | Шайба | Nylon Washer | 2 | |
| 18 | 588 15 73-02 | BOLT 0 16X32 | Esloc,Carriage Bolt M8 | 2 | |
| 19 | 589 69 29-01 | Передняя ручка 371K | Grassbag | 1 | |
| 20 | 587 29 23-01 | GRASSBAG | Husqvarna, Fabric assembly | 1 | |



MOTOR

LC247 Li, 967662901, 2018-01

| Спр. № | Код | Описание | Замечание | КОЛ Наб. |
|--------|--------------|--------------------|-------------------------|----------|
| 1 | 593 12 43-01 | LID ASSY | Powerhead lid and hinge | 1 |
| 2 | 593 12 45-01 | BOX | Battery pocket | 1 7 |
| 3 | 593 13 36-01 | Контактная пружина | Battery control plate | 1 |
| 4 | 593 13 26-01 | CONTROL UNIT | Motor control box | 1 |
| 5 | 592 74 93-01 | Ремонтный блок | Brushless motor 750W | 1 |
| 6 | 593 20 39-01 | ENGINE HOOD ASSY | Power unit cover | 1 |
| 7 | 501 49 01-01 | KEY | battery pocket key | 1 2 |
| 8 | 593 75 55-01 | SCREW | Engine hood screws | 16 |
| 9 | 593 72 28-01 | Провод | handle | 1 |



| Спр. № | Код | Описание | Замечание | КОЛ Наб. |
|--------|--------------|------------------------|--|----------|
| 1 | 587 20 37-01 | COVER HALF | Husqvarna,Suspension - Left - Height adjustment | 1 |
| 2 | 587 20 38-01 | COVER HALF | Husqvarna,Suspension - Right - Height adjustment | 1 |
| 3 | 587 68 70-01 | Тяга | Suspension | 2 |
| 4 | 735 31 12-20 | E-CLIP | 7x0.9 St PP,SHAFTS | 2 |
| 5 | 587 16 08-01 | ROD | Suspension 170/210 | 1 |
| 6 | 587 21 23-02 | HANDLE SUPPORT | right | 1 |
| 7 | 587 10 14-03 | HATCH | HVA,rear discharge | 1 |
| 8 | 587 67 44-01 | Пружина | 47 cm,Balance - Suspension | 1 |
| 9 | 587 09 54-02 | КРЫШКА | Service door | 1 |
| 10 | 587 21 21-02 | HANDLE SUPPORT | left | 1 |
| 11 | 578 17 58-02 | SCREW ITXPANT | 8x24, TBO,For Thermoplastics | 7 |
| 12 | 587 15 10-03 | Крышка в сборе | Husqvarna,47 cm | 1 |
| 13 | 586 98 46-01 | AXLE | | 1 |
| 14 | 589 59 76-01 | Пружина | HA Button | 1 |
| 15 | 587 69 74-01 | KNOB | ASSY - Suspension - Height adjustment | 1 |
| 16 | 587 67 43-01 | LINK ARM | Rear idler 210 | 1 |
| 17 | 584 61 16-03 | WHEEL | Husqvarna, With Sleeve,210, idle, medium | 2 |
| 18 | 587 63 15-01 | WHEEL | Husqvarna,170, Idler | 2 |
| 19 | 587 99 09-01 | Гайка | Lock, M12x10 | 4 |
| 20 | 584 15 93-01 | CAP | Wheel 210mm | 4 |
| 21 | 587 07 26-01 | WHEEL AXLE | Rear 47 cm,Suspension | 1 |
| 22 | 587 07 24-01 | LINK ARM | Front idler 170 | 2 |
| 23 | 590 53 15-01 | Колесный противовес СТ | cast iron | 1 |
| 24 | 587 07 26-02 | WHEEL AXLE | Front 47 cm,Suspension | 1 |
| 25 | 588 20 27-01 | SKID PLATE | Husqvarna,Front | 1 |
| 26 | 502 43 53-01 | SCREW ITXPANT | T50x16 Zn/Fe (A009) | 8 |
| 27 | 579 31 74-01 | STRAP | FIR TREE 170x5 | 1 |
| 28 | 577 09 28-01 | Шайба | 12/22/2 FZB ISO7089 | 1 |
| 29 | 587 10 15-01 | Пружина | hatch | 1 |
| 30 | 583 05 50-01 | DISTANCE | Push, 47 cm | 2 |
| 31 | 593 72 09-02 | BLADE KIT | 47cm, Incl bolt & washers, Mulch | 1 |
| 32 | 590 79 09-01 | MULCH KIT | Mulch plug and combi blade | 1 |